

asipco®

AS[®]
Medizintechnik

The Global Partner



Sterile packaging The asipco® Sterilizing- Container System



reddot design award
winner 2017



~~Packing, Final-packing~~

~~Primary packing~~

~~Single wrapping~~

~~Double wrapping~~

■ Steril barrier system:

Minimum packaging which prevent the incidence of micro organism and allows the aseptic preparation at the place of usage of the product.

■ Protection packaging:

Material configuration which allows preventing damages of the sterile barrier system and his content from the time of preparation until the time of usage of the product.

■ Packaging System:

The combination of steril barrier system and protection packaging.

**Steril barrier system + protection packaging =
PACKAGING SYSTEM**



Modern and state-of-the-art sterilizing containers are based on the actual terminology a sterile barrier and packaging Container System.

No further safety protection is needed for sterilizing Container systems.



Container lid from CNC-milled aluminum block plus „IP“-Design = Impact Protection

Strong and sustainable



Formed aluminum Container bottom

Stabile, aesthetic and formed



Stabile



+

light

Stabile edge radius

High heat storage capacity
+ High heat conductivity
= highest and shortest drying cycle

Perfect surface structure due to high performance eloxal

Wear-resistant - corrosion safety - smooth

*Ideal circumstances for automatic cleaning
and thermal disinfection in combination with
low-alkaline cleaning solution. (pH < 10)*



- Due to design closed Container lid
- Dimensionally stable through „IP“-Impact Protection
- Safeness against outer effect
- Additional protection during storage and transport process



„IP“- Impact Protection



reddot design award
winner 2017

■ Made in Germany



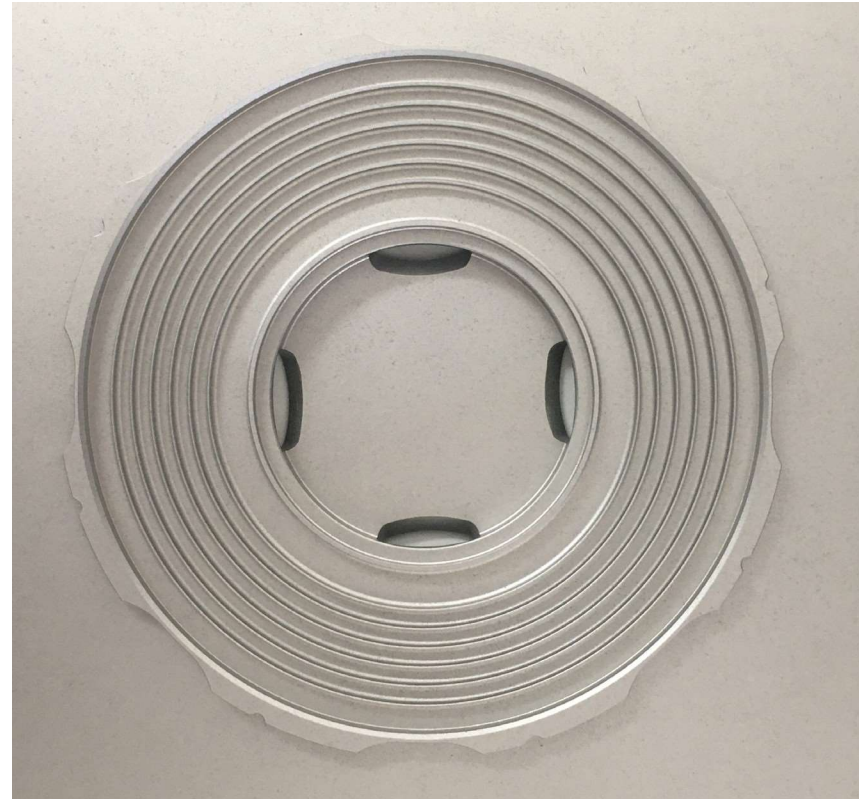
Safe transport and added work protection



asipco® sterile barrier, permanent

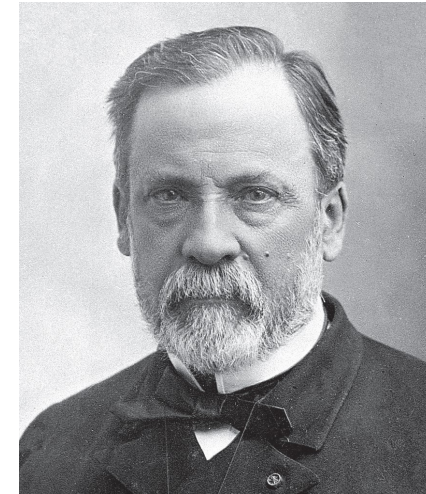
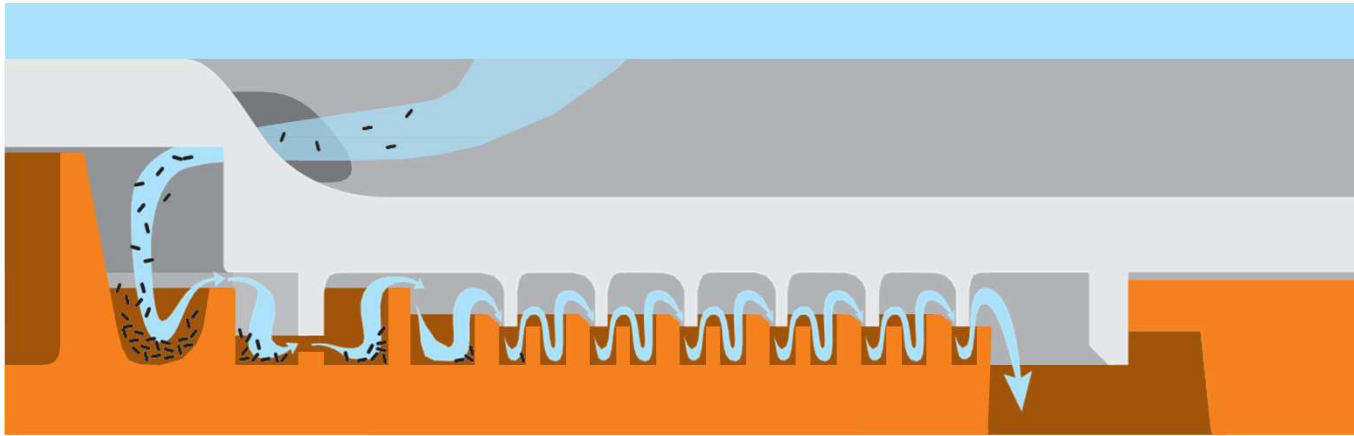


asipco® microbial barrier disk

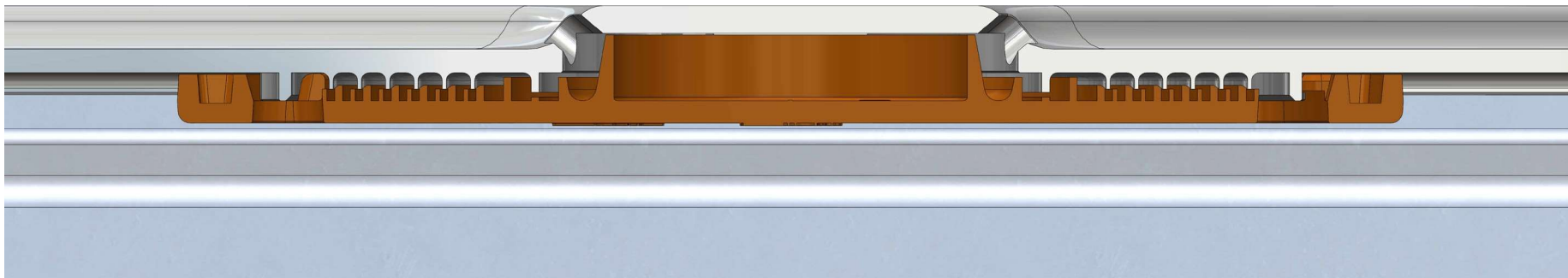


asipco® Container lid counterpart of disk

Functional Principle of sterile barrier acc. to Louis Pasteur



*Louis Pasteur (1822 - † 1895)
French chemist and microbiologist*



Example Of cost saving by Using Barrier

Changeable filter cost unit piece: \$ 5.00

Cost of changeable filter per container(perforated top & bottom): \$ 10.00

Cost of changeable filter for 34 sets container: \$ 340.00

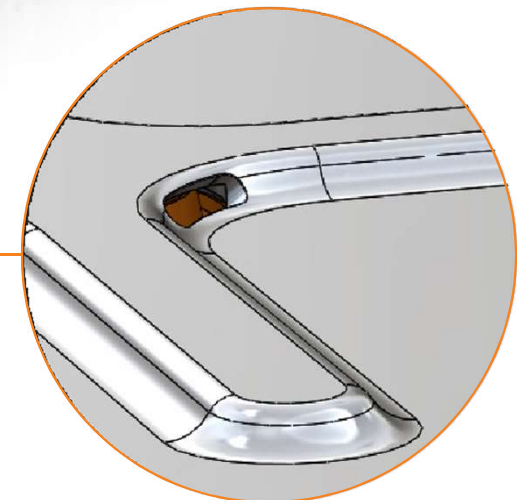
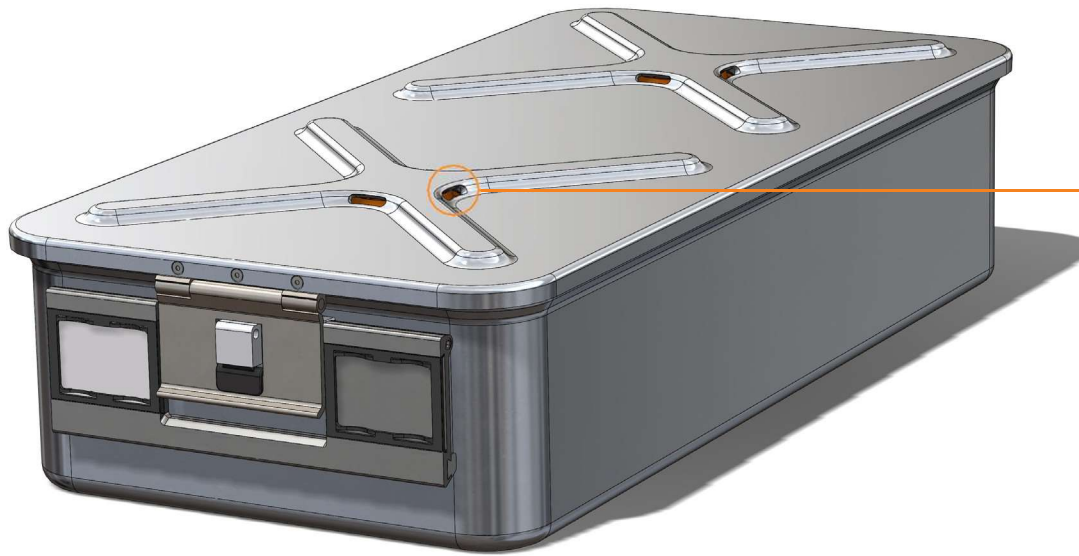
Cost saving by using Asipco Barrier System container:

\$ 340.00 per cycle

Est \$ 6000.00 to \$ 123,000.00 cost saving per year!

Everything visible at the first stage

Uncompromising and efficient



Perfectly glued in safety silicongasket

*No compromise during
drying process*





Proven Closing mechanism with long-life-time aspect

Safe and fast



Proven safety seal, clearly visible



asipco® - New perspective

- Dimensionally stable out of aluminum with state-of-the-art manufacturing procedure “Made in Germany”
- Micro barrier asipco® permanent with life-time guarantee (microbiology tested and certified)
- Storage time up to 180 days without compromises
- Intuitive, easy understandable, safe handling and long-term functionality
- Complete program (1/1 | 3/4 | 1/2 Sizes) inclusive innovative accessories
- Economic, ecologic and sustainable



reddot design award
winner 2017



asipco®



Any questions?